

## TR Series OTDR Test Receivers

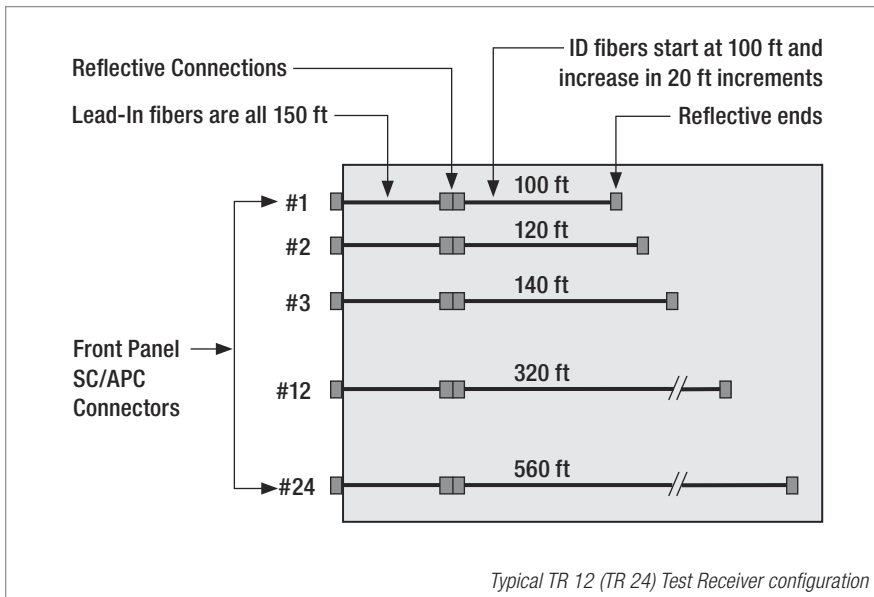


A TR OTDR Test Receiver allows a single technician, equipped with an OTDR, to test multiple fibers terminating at a common location with only one visit to that location. Thus a TR unit can greatly reduce the time need to test and certify the connectivity of FTTH passive optical networks (PON) or high-fiber-count, point-to-point spans.

TR12 and TR24 OTDR Test Receivers house 12 or 24 OTDR receive fibers respectively, with lengths increasing in 20-foot increments, in a compact, shock-resistant chassis. TR12 and TR24 units are equipped with 12 or 24 SC/APC ports.

Each TR kit includes a soft-sided carry case to protect the TR unit during storage, transportation, and use. TR carry cases are equipped with a handle and a pair of "D" rings, which may be used to secure a TR unit while it remains in the case. Cases also provide pockets that allow TR units to be stored and transported without disconnecting attached test jumpers.

Patent pending



## TR Series OTDR Test Receivers

### Specifications

Model	TR12				TR24			
Number of ports	12				24			
Port connectors	SC / APC							
Fiber type	Singlemode, SMF-28e							
Lead -In Fiber (feet)	150							
ID Fiber (feet)	#1-100	#2-120	#3-140	#4-160	#5-180	#6-200	#7-220	#8-240
	#3-140	#4-160	#5-180	#6-200	#9-260	#10-280	#11-300	#12-320
	#5-180	#6-200	#7-220	#8-240	#13-340	#14-360	#15-380	#16-400
	#7-220	#8-240	#9-260	#10-280	#17-420	#18-440	#19-460	#20-480
	#9-260	#10-280	#11-300	#12-320	#21-500	#22-520	#23-540	#24-560
	#11-300	#12-320						

### Ordering Information

Model	Includes
TR12-K1-SC-ASC	(1) TR12 OTDR Test Receiver (1) Soft-sided carry case
TR24 K1-SC-ASC	(1) TR24 OTDR Test Receiver (1) Soft-sided carry case

### Testing and identifying optical fibers using a Noyes M200 and TR OTDR Test Receiver (TR-12 shown)

