

High Stability Ball Plunger Post Holders

BRS

RoHS

Catalog Code W6043

Used for height and rotational coarse/fine adjustment of a post-equipped holder. The hole shape was modified to hold a post with two lines and one point instead of one line and one point, offering improved holding stability compared to our conventional products.

Application Systems
Optics & Optical Coatings
Holders

Bases

Manual Stages

Actuators

MotORIZED Stages

Light Sources

Index

Guide

Vibration Isolation Systems

Optical Tables

Darkrooms/
Dark Boxes

Optical Bases

Posts

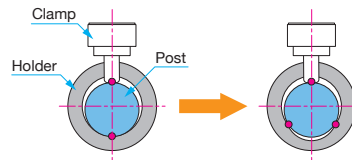
Brackets

Adapters

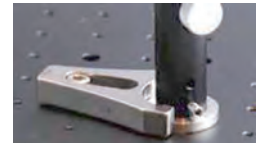
Tools



- Fitted with a plunger to gently hold to post while the clamp is loosened, enabling smooth adjustment with one hand.
- By adjusting the screw pin at the bottom of post holder, the angle can be changed 90 degrees.
- Can be fixed on various places with replacement or addition of optional parts.



1 line and 1 point 2 lines and 1 point

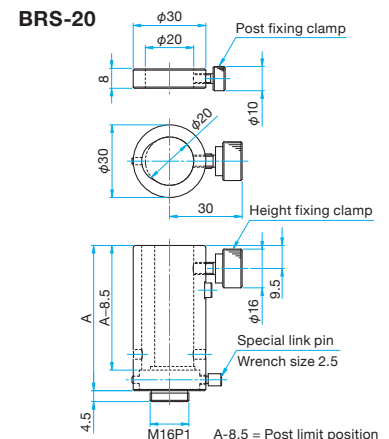
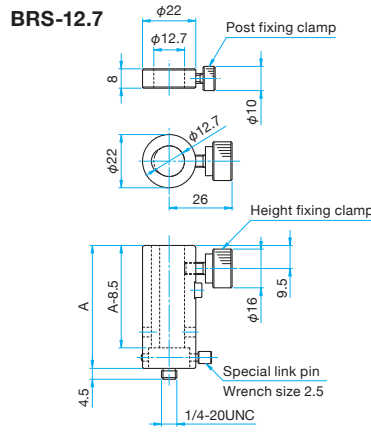
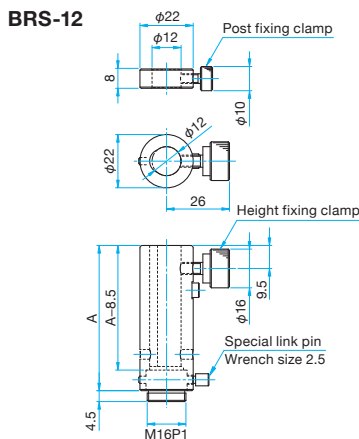


Guide

▶ Clamp screws (RS-CB) can be purchased separately. [Reference](#) D045



Outline Drawing

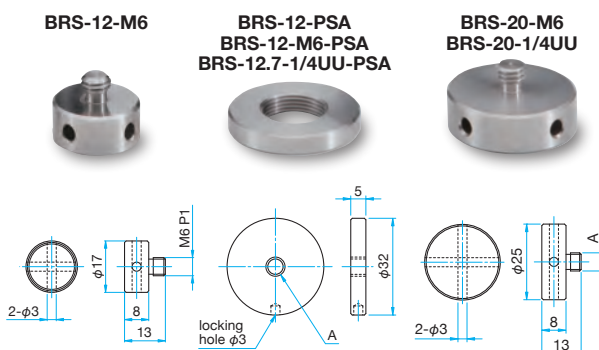


| Inner Diameter: 12 | | |
|------------------------------------------------------|--------|-------------|
| Primary material: Aluminum Finish: Black Anodized | | |
| Part Number | A [mm] | Weight [kg] |
| BRS-12-30 | 30 | 0.05 |
| BRS-12-40 | 40 | 0.06 |
| BRS-12-50 | 50 | 0.07 |
| BRS-12-60 | 60 | 0.08 |
| BRS-12-80 | 80 | 0.1 |
| BRS-12-100 | 100 | 0.12 |
| BRS-12-120 | 120 | 0.14 |
| BRS-12-130 | 130 | 0.15 |

| Inner Diameter: 12.7 | | |
|------------------------------------------------------|--------|-------------|
| Primary material: Aluminum Finish: Black Anodized | | |
| Part Number | A [mm] | Weight [kg] |
| BRS-12.7-25.4UU | 25.4 | 0.04 |
| BRS-12.7-38.1UU | 38.1 | 0.06 |
| BRS-12.7-50.8UU | 50.8 | 0.07 |
| BRS-12.7-63.5UU | 63.5 | 0.08 |
| BRS-12.7-76.2UU | 76.2 | 0.1 |
| BRS-12.7-101.6UU | 101.6 | 0.12 |
| BRS-12.7-127UU | 127 | 0.15 |
| BRS-12.7-152.4UU | 152.4 | 0.18 |

| Inner Diameter: 20 | | |
|------------------------------------------------------|--------|-------------|
| Primary material: Aluminum Finish: Black Anodized | | |
| Part Number | A [mm] | Weight [kg] |
| BRS-20-30 | 30 | 0.07 |
| BRS-20-40 | 40 | 0.09 |
| BRS-20-50 | 50 | 0.1 |
| BRS-20-60 | 60 | 0.12 |
| BRS-20-80 | 80 | 0.16 |
| BRS-20-100 | 100 | 0.19 |
| BRS-20-120 | 120 | 0.22 |
| BRS-20-130 | 130 | 0.24 |

Option Adapters for High Stability Type Post Holders | BRS



- Optional parts for high stability ball plunger post holders (BRS).
- M6×P1 conversion adapter (BRS-**-M6) is required for directly securing on a vibration isolator.

| Specifications | | Primary material: Stainless Steel Finish: None | |
|--------------------|-------------------------|---------------------------------------------------|-------------|
| Part Number | Compatible Post Holders | A | Weight [kg] |
| BRS-12-M6 | BRS-12 | - | 0.013 |
| BRS-12-PSA | BRS-12 | M16 P1 | 0.023 |
| BRS-12-M6-PSA | BRS-12 | M6 P1 | 0.03 |
| BRS-12.7-1/4UU-PSA | BRS-12.7 | 1/4-20UNC | 0.03 |
| BRS-20-M6 | BRS-20 | M6 P1 | 0.03 |
| BRS-20-1/4UU | BRS-20 | 1/4-20UNC | 0.03 |