

Magnet Base Flexible Post Holder

MB
MB-MX/MX-AM

MB

RoHS **Catalog Code** **W6027**

These bases can secure optical components to any flat magnetic bench.

- The magnet is activated by switching the lever ON/OFF.
- Does not require tapped holes for attachment.
- The tapped holes on the top surface can be metric or inch depending on the model.



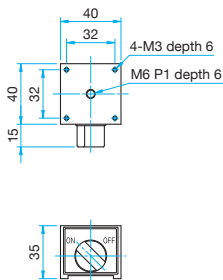
Guide

- ▶ A SP-130 adapter can be used to attach stages to the surface of the MB-CB-PB bases. [WEB Reference](#) [Catalog Code](#) W6072 [Reference](#) D045
- ▶ The opposite surface of the ON/OFF switching lever of MB-PG is also magnetized.

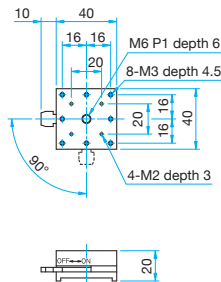


Outline Drawing

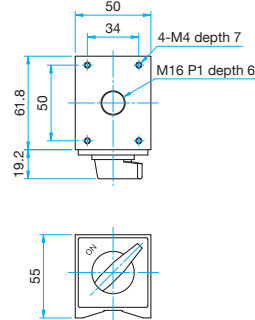
MB-S40



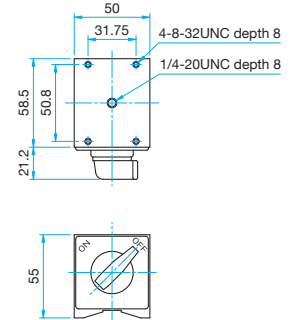
MB-L40



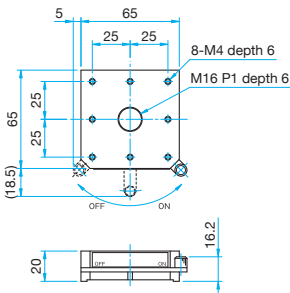
MB-CB-PB



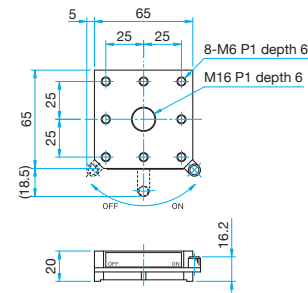
MB-BUU



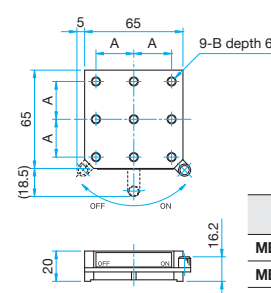
MB-L65C-M4



MB-L65A-M6

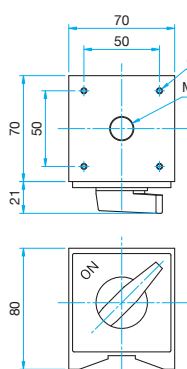


MB-L65C-M6EE / MB-L65C-1/4UU

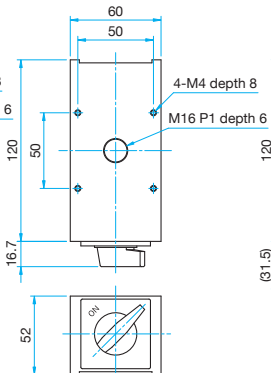


Part Number	A (mm)	B
MB-L65C-M6EE	25	M6 P1
MB-L65C-1/4UU	25.4	1/4-20UNC

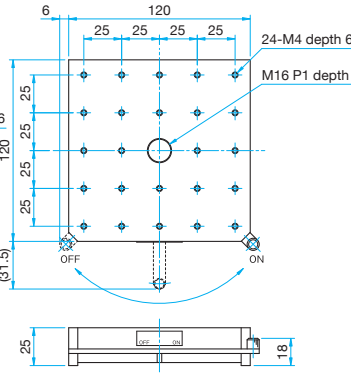
MB-PH



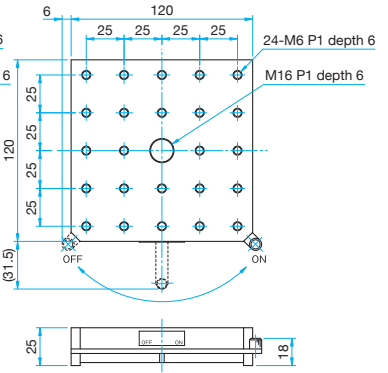
MB-PG



MB-L120-M4



MB-L120-M6





Application Systems
Optics & Optical Coatings
Opto-Mechanics

Bases

Manual Stages

Actuators & Adjusters

MotORIZED Stages

Light Sources & Laser Safety

Index

Guide

Vibration Isolation Systems

Optical Tables

Darkrooms/ Dark Boxes

Optical Bases

Posts

Brackets

Adapters

Tools

Specifications				
Part Number			Holding Force [N]	Weight [kg]
MB-S40		—	198 (about 20kgf)	0.4
MB-L40		—	49 (about 5kgf)	0.2
MB-CB-PB	MB-BUU		294 (about 30kgf)	1
MB-L65C-M4		—	198 (about 20kgf)	0.5
MB-L65C-M6EE	MB-L65C-1/4UU		198 (about 20kgf)	0.6
MB-L65A-M6		—	198 (about 20kgf)	0.6
MB-PH		—	490 (about 50kgf)	2.5
MB-PG		—	490 (about 50kgf)	2.4
MB-L120-M4	MB-L120-M6		294 (about 30kgf)	2.4

MB-MX/MX-AM

RoHS Catalog Code W6038



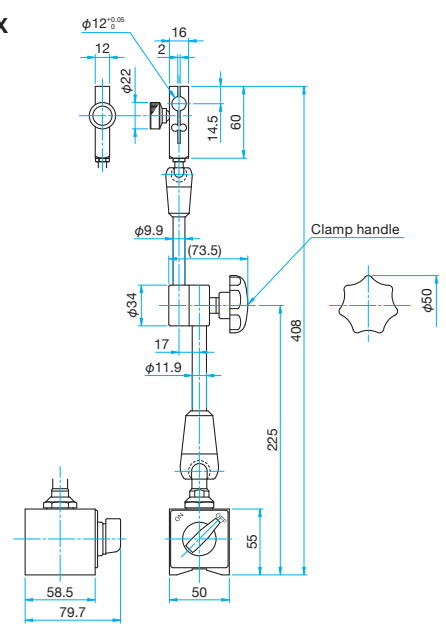
The Post Clamp can be pivot freely loosening the clamp handle to reposition post mounted holders quickly and easily.

- The cam style clamping mechanism can easily be locked and unlocked with the turn of the knob.
- The post clamp is designed to securely hold $\phi 12$ posts.
- The MB-MX has a magnetic base and can be freely secured on flat magnetic surfaces.
- The MX-AM has an external thread M16P1 on the bottom. It can be directly secured to base plates.

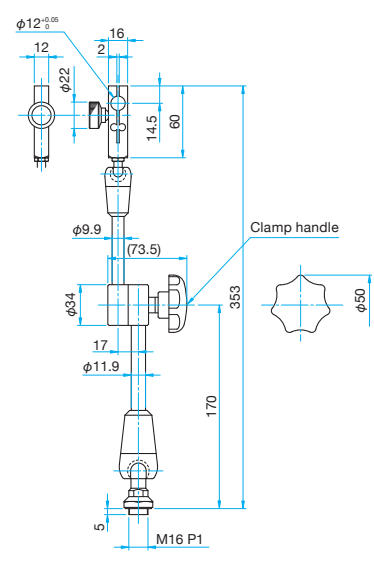


Outline Drawing

MB-MX



MX-AM



Specifications		
Part Number	Holding Force*	Weight [kg]
MB-MX	1.96N (about 0.2kgf)	1.9
MX-AM	1.96N (about 0.2kgf)	0.9

* Holding force is a reference value.