

Aluminum Spacers (40 × 40 mm)

MSP-40



Catalog Code W6035

Spacers for 40 × 40 mm positioning stages.



- These spacers allow users to increase the height (thickness) of stages.
- Various thicknesses are available in 1mm increments.

Guide

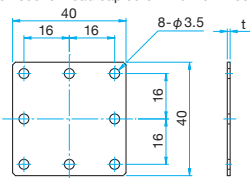
► Custom sizes not listed in the catalog can be purchased. Contact our Sales Division for more information.



Outline Drawing

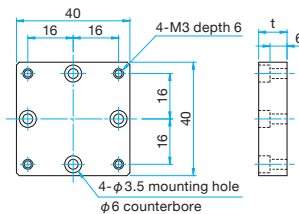
MSP-40**

- Hexagon socket head cap screw M3×12...4 screws (4002)
- Hexagon socket head cap screw M3×14...4 screws (4003)
- Hexagon socket head cap screw M3×16...4 screws (4005)



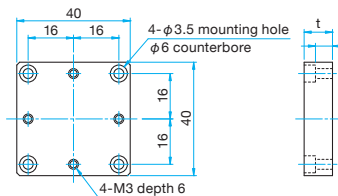
MSP-40**A

- Hexagon socket head cap screw M3×10...4 screws

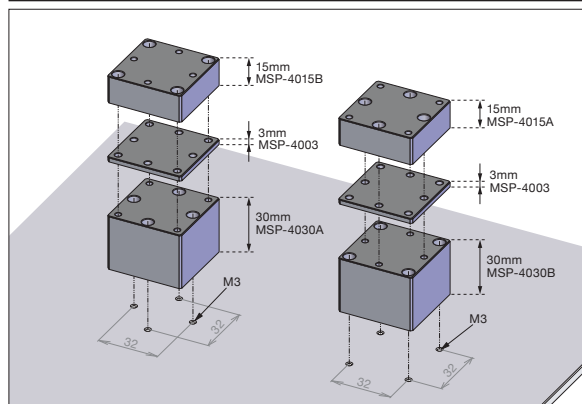


MSP-40**B

- Hexagon socket head cap screw M3×10...4 screws



Combination Example (Height: 48mm)



		Mounting Surface Pattern		
		P.C.D.32M3	□32M3	
Height (mm)	5	MSP-4005	MSP-4005	
	10	MSP-4010A	MSP-4010B	
	15	Upper	MSP-4005	MSP-4005
		Lower	MSP-4010A	MSP-4010B
	20	Upper	MSP-4010	MSP-4010A
		Lower	MSP-4010A	MSP-4010B
	25	Upper	MSP-4010	MSP-4010A
		Lower	MSP-4015A	MSP-4015B
	30	Upper	MSP-4010	MSP-4010A
		Lower	MSP-4020A	MSP-4020B
	35	Upper	MSP-4010	MSP-4010A
		Lower	MSP-4025A	MSP-4025B
	40	Upper	MSP-4010	MSP-4010A
		Lower	MSP-4030A	MSP-4030B
	45	Upper	MSP-4015	MSP-4015A
		Lower	MSP-4030A	MSP-4030B
50	Upper	MSP-4020	MSP-4020A	
	Lower	MSP-4030A	MSP-4030B	
55	Upper	MSP-4025	MSP-4025A	
	Lower	MSP-4030A	MSP-4030B	
60	Upper	MSP-4030	MSP-4030A	
	Lower	MSP-4030A	MSP-4030B	
65	Upper	MSP-4030	MSP-4030A	
	Middle Lower	MSP-4005 MSP-4030A	MSP-4005 MSP-4030B	

Specifications

Primary material: Aluminum
Finish: Black Anodized

Part Number	Thickness t [mm]	Weight [kg]
MSP-4001	1	0.004
MSP-4002	2	0.009
MSP-4003	3	0.01
MSP-4005	5	0.02
MSP-4010A	10	0.04
MSP-4010B	10	0.04
MSP-4015A	15	0.06
MSP-4015B	15	0.06
MSP-4020A	20	0.09
MSP-4020B	20	0.09
MSP-4025A	25	0.11
MSP-4025B	25	0.11
MSP-4030A	30	0.13
MSP-4030B	30	0.13