

Application Systems
Optics & Optical Coatings
Opto-Mechanics

Bases

Manual Stages

Actuators & Adjusters

MotORIZED Stages

Light Sources & Laser Safety

Index

Guide

Vibration Isolation Systems

Optical Tables

Darkrooms/ Dark Boxes

Optical Bases

Posts

Brackets

Adapters

Tools

Aluminum baseplates used to adjust the optical height of components.



- Made up of two aluminum plates and four stainless steel posts (finish: none).
- Posts are available in 1mm increments between 11mm and 100mm.
- The SP-124 is compatible with post holders and 60x60mm positioning stages.
- The UP can be directly secured on an optical breadboard.

Guide

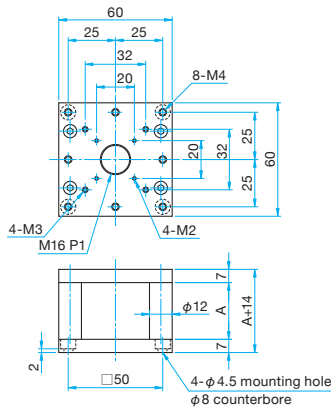
- ▶ Make sure to specify the post length A (A=11mm or longer) at the time of ordering.
 - ▶ Custom Posts up to 300 mm and with different finishes are available. Contact our Sales Division for more information. Use the Question Sheet for Height Alignment Platform.
- [WEB Reference](#) [Catalog Code](#) W6037

Attention

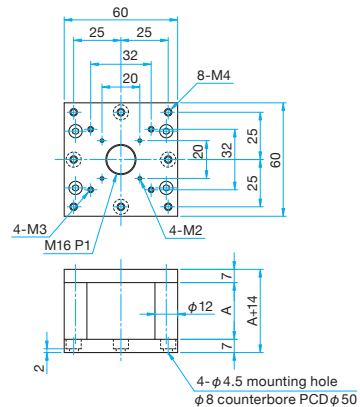
- ▶ Posted weight does not include the struts.

Outline Drawing

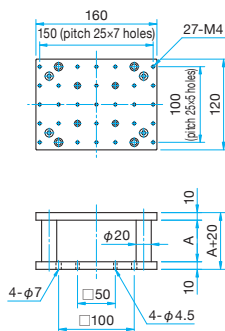
SP-124-1 Hexagonal socket head cap screw M4x6...4 screws



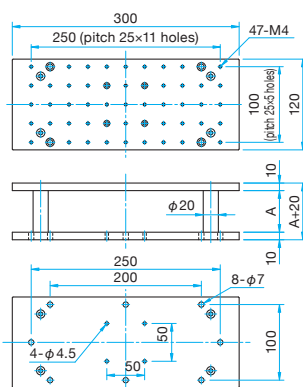
SP-124-2 Hexagonal socket head cap screw M4x6...4 screws



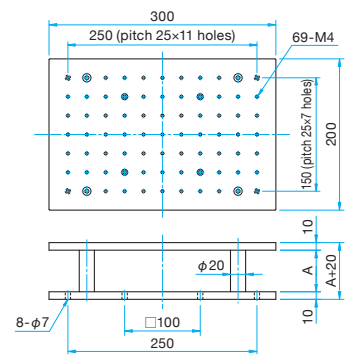
UP-1216 Hexagon socket head cap screw M6x18...4 screws, M4x16...4 screws



UP-1230 Hexagon socket head cap screw M6x18...4 screws, M4x16...4 screws



UP-2030 Hexagon socket head cap screw M6x18...4 screws, M4x16...4 screws



Specifications

Part Number	Strut Length [mm]	Weight [kg]
SP-124-1	12 ≤ A ≤ 100	0.12
SP-124-2	* 101mm or longer will be quoted separately.	0.12
UP-1216		0.99
UP-1230	11 ≤ A ≤ 100	1.89
UP-2030	* 101mm or longer will be quoted separately.	3.18

Plate material: Aluminum
Plate Finish: Black Anodized